



Designers and Manufacturers of Retail Solutions for Over 60 Years

KNS2265UBHD

U-BOAT WITH THREE SHELVES

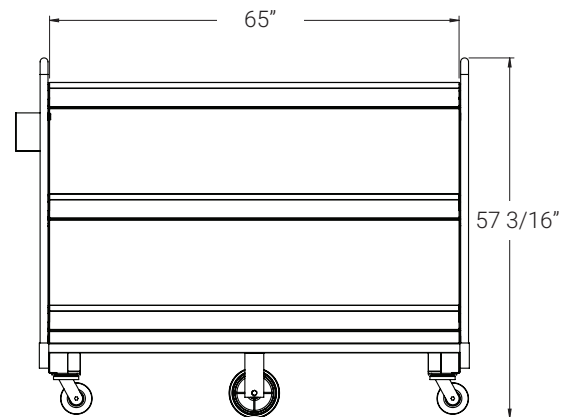
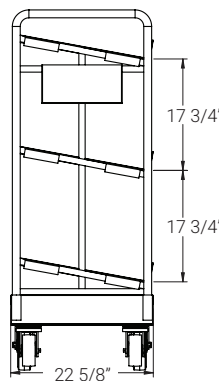
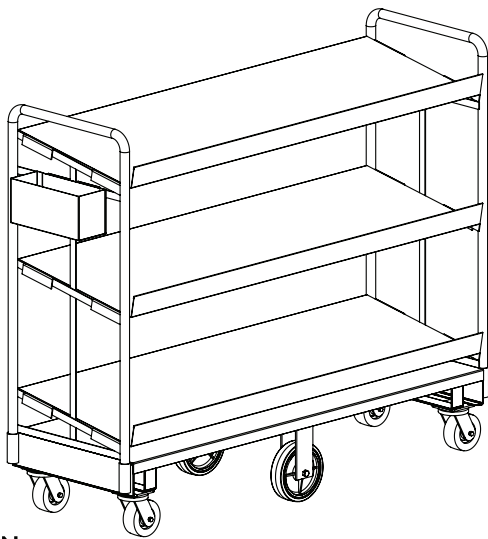


This 65" U-boat is proudly made in the USA and purpose-built to simplify the organization and movement of go-back items in grocery and retail environments. Featuring three shelves designed specifically to hold plastic totes, it supports up to 12 totes total for efficient sorting and distribution.

Built with the same durable construction and smooth handling as our retail-focused U-boats, it also includes an integrated storage bin and a long-lasting powder coat finish.

FEATURES:

- Made in the USA for consistent quality, lower freight costs, and faster delivery
- Three slanted shelves engineered to securely hold plastic totes
- Designed to streamline grocery and retail go-back organization
- Six-wheel configuration for smooth maneuverability when fully loaded



KNS2265UBHD

U-BOAT WITH THREE SHELVES



FEATURES:

- Durable powder coat finish for long-term protection and a professional appearance
- Total capacity for up to 12 plastic totes
- Designed to streamline grocery and retail go-back organization
- Integrated accessory bin for holding bottles, supplies, or tools



KNS103TOTE

Stackable, nestable totes used for customer go-backs or for dotcom curbside shopping operations.



MODEL #	DESCRIPTION	WIDTH	LENGTH	HEIGHT	CAPACITY
KNS2265UBHD	U-BOAT WITH 3 SHELVES	65"	65"	57 3/16"	2,800 lbs.