



Designers and Manufacturers of Retail Solutions for Over 60 Years



KNM3099 (without tray) KNM3099T (with tray)

DEEP BASKET METAL CART

Available in a Granite finish only, this large capacity cart's deep basket maximizes product carrying capacity while minimizing the aisle footprint. At only 22" wide, this cart is designed for stores with narrow aisles. Side panels provide an opportunity to reinforce store branding.

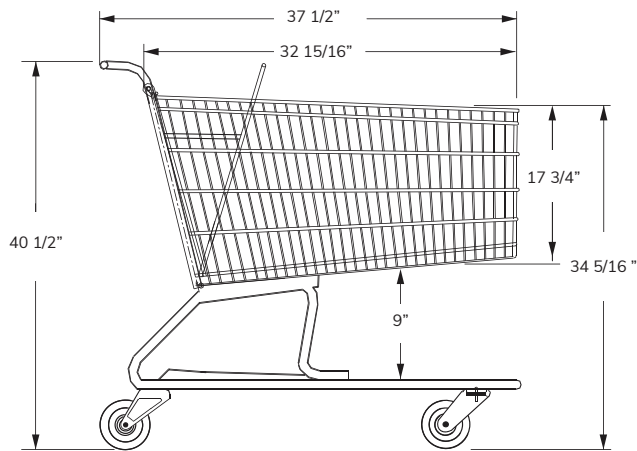
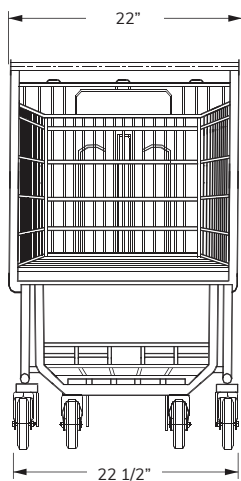
Double-Rim Wire Construction eliminates sharp edges at all touch-points around the basket while adding rigidity and strength.

Forever Secure gate design ensures the gate assembly that holds the child can never fall off, or out of the cart.

Gravity-Drop Seat Frame ensures a smooth and effortless closing of the child seat when the gate closes, significantly reducing the chances of seat belts and components getting tangled in the operation.

**Photo shown includes optional Corner Bumpers and Anti-Tilt Bar*

PRODUCT SPECIFICATIONS:



Total Capacity

15,000 in³
245.8 liters

Basket Capacity

11,000 in³
180.3 liters

Nesting Distance

10 in
25.4 cm

Weight

67 lbs
30.4 kg



KNM3099/3099T

DEEP BASKET METAL CART

FEATURES:

- Meets all ASTM F2372-15R21 Standards
- Choice of plastic handle and seat color
- Custom logo imprint
- Seat belt
- Rust/weather-resistant finish

FINISH COLOR:



Granite

Only available in Granite powder coat.

PLASTIC COLORS:

Applies to handles and seats.



Black

Gray

Red

Blue

Dark Green

Contact your Peggs representative for a complete list of the available plastic colors.

Minimum quantities apply for custom plastic colors.



OPTIONAL ACCESSORIES:



P&H Super Wheels, TPE
Soft and Quiet Runner Wheels



Optional Corner Bumpers
in Standard Black or Gray



Cart containment systems:
Gatekeeper, Carttronics,
Rocateq, etc.