



KNM04010

METAL CARRY OUT CART

The heavy-duty Carry Out Cart is a compact cart designed to transport groceries from the store to cars in the top basket, lower tray or using the looped hooks.

Constructed of square tubing for maximum strength, the Carry Out Cart features 5" front swivel casters allow for easy maneuvering and a flip-up top shelf to transport larger items.

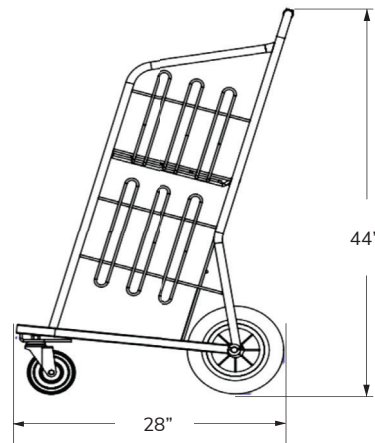
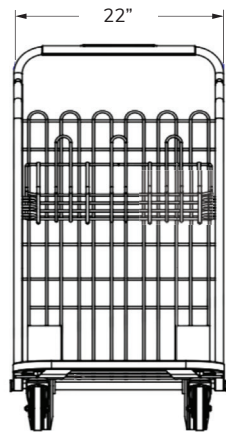
FEATURES:

- Available in any color finish or texture
- Meets all ASTM F2372-15R21 Standards
- Choice of plastic handle and seat color
- Store name or logo imprint on handle
- Flip-up 10" top shelf
- Solid 8" x 2" rubber wheels
- 5" front swivel casters
- Powder-coated to prevent rust and corrosion

OPTIONS:

- Cart containment: Gatekeeper Systems, Cartronics, Rocateq, etc.

PRODUCT SPECIFICATIONS:



Total Capacity

12,100 in³
198.2 liters

Top Basket Capacity

3,550 in³
58 liters

Lower Basket

8550 in³
140 liters

Weight

62 lbs
28 kg

