



Designers and Manufacturers of Retail Solutions for Over 60 Years



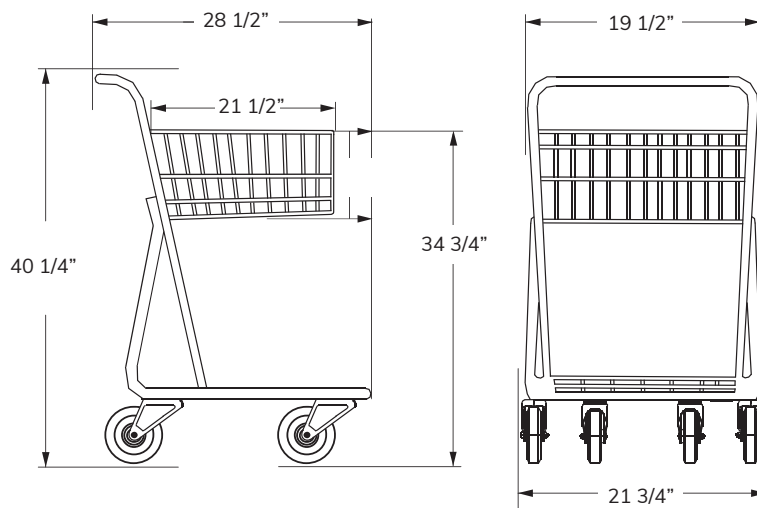
KNM074

CONVENIENCE CART W/BULK LOWER TRAY

This metal Convenience Cart with child seat features a large bulk lower tray allowing customers to shop for small and large items with one cart.

A rear basket holds smaller items to prevent them from being bruised or damaged by larger items. The cart's 5" casters and wheels make it easy to maneuver.

PRODUCT SPECIFICATIONS:



Total Capacity

12,000 in³
196.6 liters

Basket Capacity

2,900 in³
47.5 liters

Nesting Distance

5 in
12.7 cm

Weight

43 lbs
19.5 kg



KNM074

CONVENIENCE CART W/BULK LOWER TRAY

FEATURES:

- Available in any color finish or texture
- Meets all ASTM F2372-15R21 Standards
- Choice of plastic handle and seat color
- Custom logo imprint
- Seat belt
- Rust/weather-resistant finish

FINISH COLORS:



Black Gloss
Textured



Granite

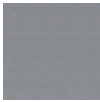
Additional Finishes available: Textured Granite, Gloss Black, Flat Black, Red, Green, Blue, Orange, Yellow.

PLASTIC COLORS:

Applies to cart handles and seats.



Black



Gray



Red



Blue



Dark Green

Contact your Peggs representative for a complete list of the available plastic colors.

Minimum quantities apply for custom metal finish and plastic colors.

OPTIONAL ACCESSORIES:



Cup Holder, Coupon/Phone Convenience Tray, Purse Hook



Cart containment systems: Gatekeeper, Carttronics, Rocateq, etc.



P&H Super Wheels, TPE Soft and Quiet Runner Wheels



Optional Corner Bumpers in Standard Black or Gray

