



U-BOATS

STANDARD, LIGHT AND HEAVY DUTY



Designed for efficient material handling across retail, warehouse, and back-of-house environments.

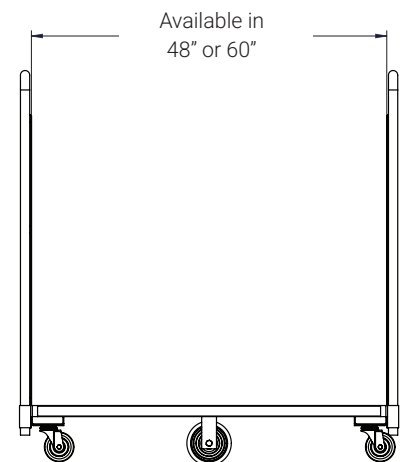
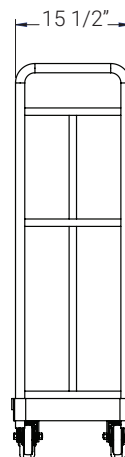
This versatile U-boat is available in Light, Standard, and Heavy Duty configurations and supports a wide range of load requirements and day-to-day applications.

The narrow 16-inch deck allows the cart to move easily through tight aisles and confined spaces, while the six-wheel configuration ensures superior control and stability. Fixed center wheels provide straight tracking and load support, while four swivel casters deliver smooth, responsive maneuverability during turns and directional changes.

Manufactured in the U.S.A., these U-boats offer dependable quality along with freight savings and reduced lead times, making them a practical and customizable choice for operations that value both performance and quick fulfillment.

FEATURES:

- Heavy gauge tubing handles resist bending when under heavy loads or when pulling loads over thresholds.
- Heavy gauge decking provides added strength.
- Maneuvers easily, supported by six high-quality poly wheels and casters manufactured in the U.S.A. *No lubrication required.*
- Wheels are non-marking and maintenance-free with a 5-year life expectancy.
- Available in multiple colors allowing customers to specify different colors for different departments.



*Exact height may vary depending on light, standard or heavy duty



U-BOAT

STANDARD, LIGHT AND HEAVY DUTY

LIGHT DUTY

- Ideal for dollar, hobby, and apparel retailers—not recommended for grocery store use.
- 6" poly center wheel and 4" x 1.5" swivel casters for lighter loads



STANDARD DUTY

- The most commonly used model for everyday material handling—suitable for grocery and mixed retail environments.
- 8" x 2" center load wheels and 4" x 1.5" swivel casters



HEAVY DUTY

- Built for extreme loads and high-abuse conditions, with thicker steel construction. Ideal for liquor departments, warehouse stores, and demanding environments.
- 8" x 2" center wheels, and heavy-duty 5" x 2" swivel casters



MODEL #	DESCRIPTION	WIDTH	LENGTH	HEIGHT	CAPACITY
KNS1648UB	Light Duty 48" U-Boat	16"	48"	53 3/8"	1000 lbs.
KNS1660UB	Light Duty 60" U-Boat	16"	60"	53 3/8"	1000 lbs.
KNS1648UBI	Standard Duty 48" U-Boat	16"	48"	60 7/8"	1800 lbs.
KNS1660UBI	Standard Duty 60" U-Boat	16"	60"	60 7/8"	1800 lbs.
KNS1648UBHD	Heavy Duty 48" U-Boat	16"	48"	57 3/16"	2500 lbs.
KNS1660UBHD	Heavy Duty 60" U-Boat	16"	60"	62 3/16"	2500 lbs.

Removable arms enable U-Boats to ship knock-down for maximum freight savings and efficiency.

Up to two optional shelves can be used with each unit.

Speak with your Peggs Consultant about quantity discounts.