



Designers and Manufacturers of Retail Solutions for Over 60 Years

KNS105GT

E-COMMERCE PICKING CART



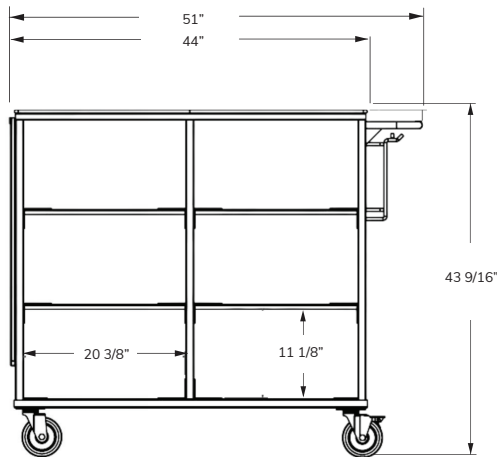
The 6-tote Picking Cart allows for organized and efficient e-commerce or click-and-collect order fulfillment.

Drawers allow for quick loading. Totes easily slide open and closed, functioning like drawers. Built-in bag holders accommodate both paper and plastic and allow for bagging while shopping.

The cart's aluminum tabletop can be used as a work surface, or to hold two additional picking totes.

Designed to use with KNS103TOTE nest and stack totes. Totes not included

PRODUCT SPECIFICATIONS:



Tote Capacity

6 on cart shelves
2 on cart top

Cart Weight

Aluminum 58 lbs
Steel 79 lbs



KNS105GT

E-COMMERCE PICKING CART

KEY FEATURES:



ADDITIONAL FEATURES:



Aluminum tabletop/workspace
44" L x 24 1/4" W



Plastic handle with paper or
plastic bag dispenser



Sign or graphic insert
20 3/4" x 30 3/4"