



Designers and Manufacturers of Retail Solutions for Over 60 Years

# KNM790

## DEEP SCANNER METAL CART



Deep scanner basket is perfect for large retailers looking to increase shopping capacity and shopper experience. The heavy-duty frame allows for increased weight capacity and storage space. Nests with Unarco 90ZX.

**Double-Rim Wire Construction** eliminates sharp edges at all touch-points around the basket while adding rigidity and strength.

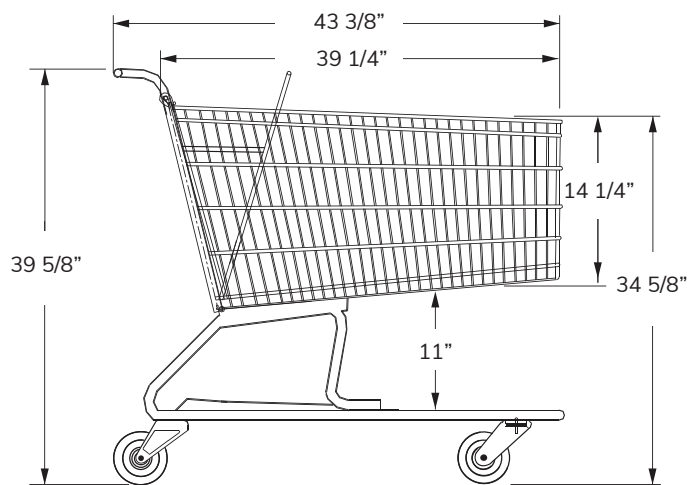
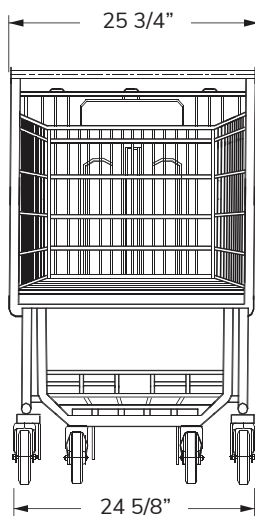
**Welded Lower Tray** means less maintenance, less rusting and quieter cart operation in store.

**Forever Secure** gate design ensures the gate assembly that holds the child can never fall off, or out of the cart.

**Gravity-Drop Seat Frame** ensures a smooth and effortless closing of the child seat when the gate closes, significantly reducing chances of seat belts and components getting tangled in the operation.

*\*Photo shown includes optional Corner Bumpers*

### PRODUCT SPECIFICATIONS:



#### Total Capacity

20,122 in<sup>3</sup>  
329.7 liters

#### Basket Capacity

13,686 in<sup>3</sup>  
224.2 liters

#### Nesting Distance

12 1/2 in  
31.75 cm

#### Weight

60 lbs  
27.2 liters



# KNM790

## DEEP SCANNER METAL CART

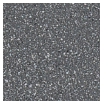
### FEATURES:

- Available in any color finish or texture
- Meets all ASTM F2372-15R21 Standards
- Choice of plastic handle and seat color
- Custom logo imprint on handle
- Seat belt
- Rust/weather-resistant finish

### FINISH COLORS:



Black Gloss  
Textured

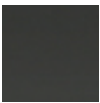


Granite

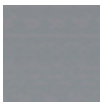
Additional Finishes available: Textured Granite, Gloss Black, Flat Black, Red, Green, Blue, Orange, Yellow.

### PLASTIC COLORS:

Applies to handles and seats.



Black



Gray



Red



Blue



Dark Green

Contact your Peggs representative for a complete list of the available plastic colors.

Minimum quantities apply for custom metal finishes and plastic colors.

### OPTIONAL ACCESSORIES:



Cup Holder, Coupon/Phone  
Convenience Tray, Purse Hook



P&H Super Wheels, TPE  
Soft and Quiet Runner Wheels



Optional Corner Bumpers  
in Standard Black or Gray



Cart containment systems:  
Gatekeeper, Cartronics,  
Rocateq, etc.

