



Designers and Manufacturers of Retail Solutions for Over 60 Years

# KNM730

## LARGE METAL CART



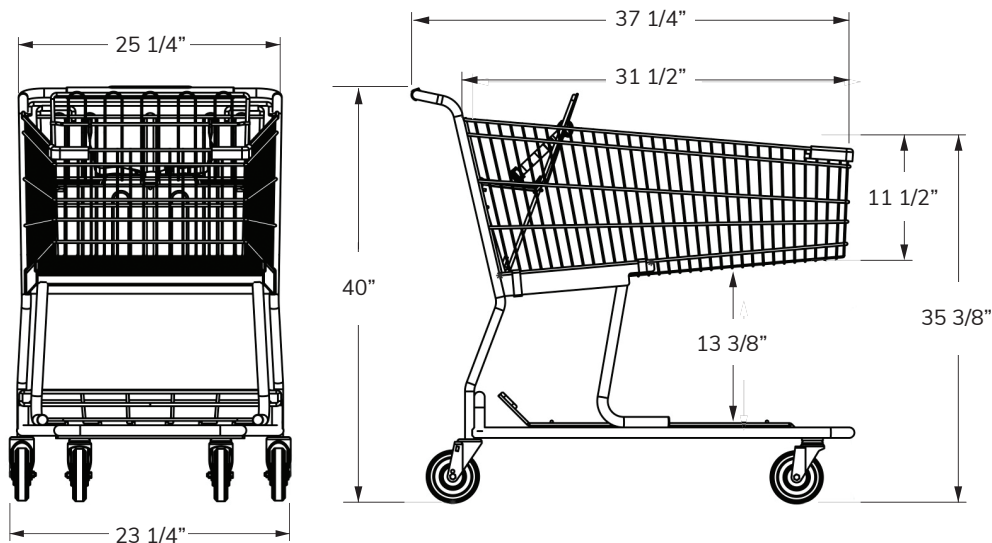
This large capacity cart with a deep basket maximizes product carrying capacity while maintaining a very ergonomic profile that is easy to load and unload.

**Forever Secure** gate design ensures the gate assembly that holds the child can never fall off, or out of the cart.

**Gravity-Drop Seat Frame** ensures a smooth and effortless closing of the child seat when the gate closes, significantly reducing the chances of seat belts and components getting tangled in the operation.

*\*Photo shown includes optional Corner Bumpers*

### PRODUCT SPECIFICATIONS:



#### Total Capacity

15,273 cu. in.  
250.2 liters

#### Basket Capacity

8,778 in<sup>3</sup>  
143.8 liters

#### Nesting Distance

12 in  
30.4 cm

#### Weight

55 lbs  
24.9 kg



# KNM730

## LARGE METAL CART

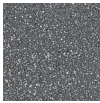
### FEATURES:

- Available in any color finish or texture
- Meets all ASTM F2372-15R21 Standards
- Choice of plastic handle and seat color
- Custom logo imprint on handle
- Seat belt
- Rust/weather-resistant finish

### FINISH COLORS:



Black Gloss  
Textured

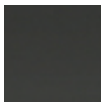


Granite

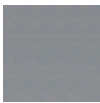
Additional Finishes available: Textured Granite, Gloss Black, Flat Black, Red, Green, Blue, Orange, Yellow.

### PLASTIC COLORS:

Applies to handles and seats.



Black



Gray



Red



Blue



Dark Green

Contact your Peggs representative for a complete list of the available plastic colors.

Minimum quantities apply for custom metal finishes and plastic colors.

### OPTIONAL ACCESSORIES:



Cup Holder, Coupon/Phone  
Convenience Tray, Purse Hook



P&H Super Wheels, TPE  
Soft and Quiet Runner Wheels



Optional Corner Bumpers  
in Standard Black or Gray



Cart containment systems:  
Gatekeeper, Cartrronics,  
Rocateq, etc.

