



Designers and Manufacturers of Retail Solutions for Over 60 Years



KNM651

DEEP SCANNER PLASTIC CART

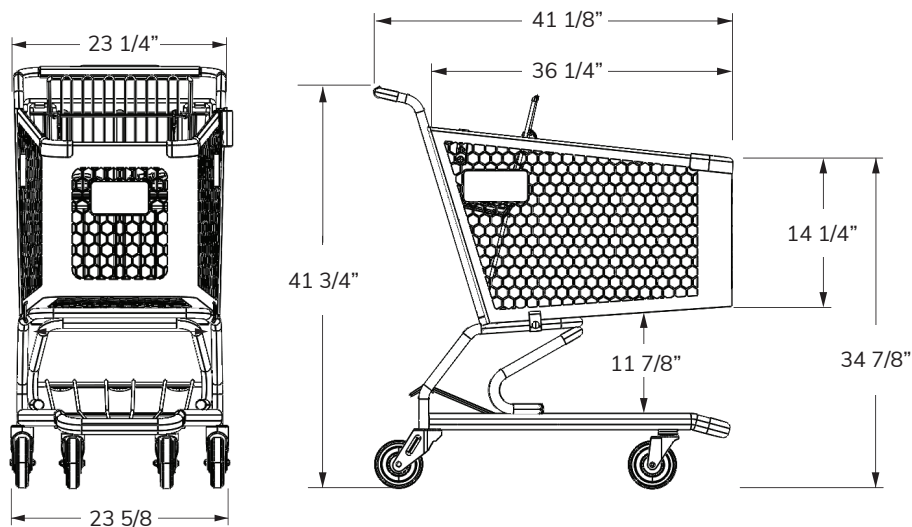
Large plastic/steel hybrid cart designed for heavy duty capacity operations. Oval tubing frame increases cart weight capacity.

A choice of colored basket complements store decor and helps stand out from the rest. Logo branding available on three basket sides.

In addition to limiting damage to store equipment and fixtures, plastic baskets lessen liability in parking lots as they are less likely to scratch or damage vehicles.

Forever Secure gate design ensures the gate assembly that holds the child can never fall off, or out of the cart.

PRODUCT SPECIFICATIONS:



Total Capacity

17,318 cu. in.
283.8 liters

Basket Capacity

10,328 cu. in.
169.2 liters

Nesting Distance

12 7/8 in
32.7 cm

Weight

55 lbs
24.9 kg



KNM651

DEEP SCANNER PLASTIC CART

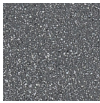
FEATURES:

- Available in any color finish or texture
- Meets all ASTM F2372-15R21 Standards
- Choice of plastic basket color
- Custom logo imprint
- Seat belt
- Rust/weather-resistant finish

FINISH COLORS:



Black Gloss
Textured



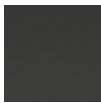
Granite

Additional Finishes available: Textured Granite, Gloss Black, Flat Black, Red, Green, Blue, Orange, Yellow.

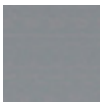


PLASTIC COLORS:

Applies to cart baskets, handles and seats.



Black



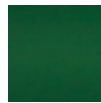
Gray



Red



Blue



Dark Green



Light Green



Light Orange



Camel



Yellow

Contact your Peggs representative for a complete list of the available plastic colors.

Minimum quantities apply for custom metal finish and plastic colors.

OPTIONAL ACCESSORIES:



Cup Holder, Coupon/Phone
Convenience Tray, Purse Hook



P&H Super Wheels, TPE
Soft and Quiet Runner Wheels



Optional Corner Bumpers
in Standard Black or Gray



Cart containment systems:
Gatekeeper, Cartronics,
Rocateq, etc.