



Designers and Manufacturers of Retail Solutions for Over 60 Years

# KNM601

## SCANNER JR. PLASTIC CART



Plastic baskets reduce overall cart weight and protect store equipment and fixtures from damage.

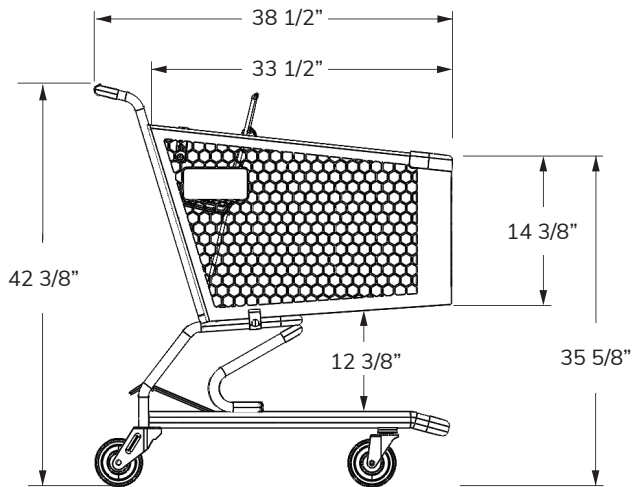
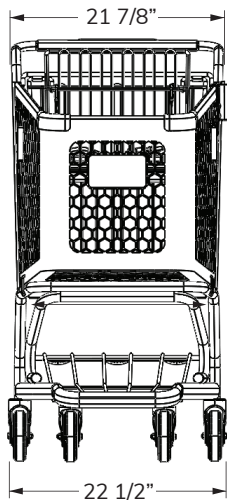
A choice of colored basket complements store decor and helps carts stand out from the rest. Logo branding is available on three basket sides and one inside panel.

In addition to limiting damage to store equipment and fixtures, plastic baskets lessen liability in parking lots as they are less likely to scratch or damage vehicles.

**Welded Lower Tray** means less maintenance, less rusting and quieter cart operation in store.

**Forever Secure gate** design ensures the gate assembly that holds the child can never fall off, or out of the cart.

### PRODUCT SPECIFICATIONS:



#### Total Capacity

12,966 in<sup>3</sup>  
212.5 liters

#### Basket Capacity

8,766 in<sup>3</sup>  
143.6 liters

#### Nesting Distance

12 1/4 in  
31.1 cm

#### Weight

53 lbs  
24 kg



# KNM601

## SCANNER JR. PLASTIC CART

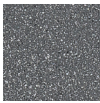
### FEATURES:

- Available in any color finish or texture
- Meets all ASTM F2372-15R21 Standards
- Choice of plastic basket color
- Custom logo imprint on front and side panels
- Store name or logo imprint on handle
- Seat belt
- Rust/weather-resistant finish

### FINISH COLORS:



Black Gloss  
Textured



Granite

Additional Finishes available: Textured Granite, Gloss Black, Flat Black, Red, Green, Blue, Orange, Yellow.

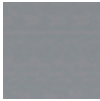


### PLASTIC COLORS:

Applies to cart baskets, handles and seats.



Black



Gray



Red



Blue



Dark Green



Light Green



Light Orange



Camel



Yellow

Contact your Peggs representative for a complete list of the available plastic colors.

Minimum quantities apply for custom metal finish and plastic colors.

### OPTIONAL ACCESSORIES:



Cup Holder, Coupon/Phone  
Convenience Tray, Purse Hook



P&H Super Wheels, TPE  
Soft and Quiet Runner Wheels



Cart containment systems:  
Gatekeeper, Carttronics,  
Rocateq, etc.