



Designers and Manufacturers of Retail Solutions for Over 60 Years

KNM250

SMALL SCANNER METAL CART



Medium size metal cart reduces store congestion. Its tall frame allows ease of loading and unloading and increases space in lower tray.

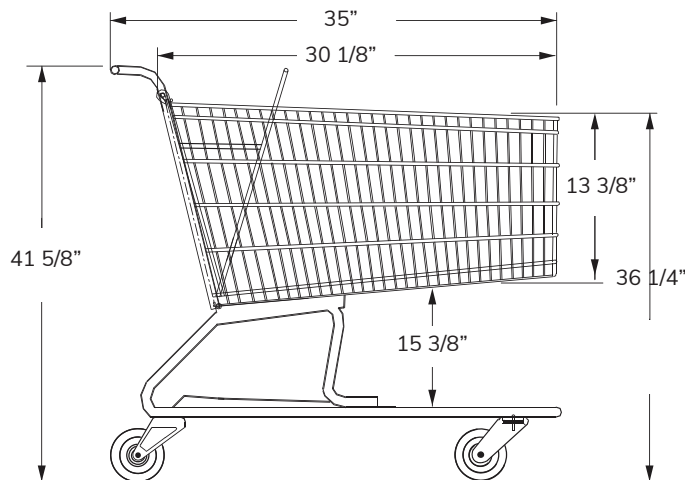
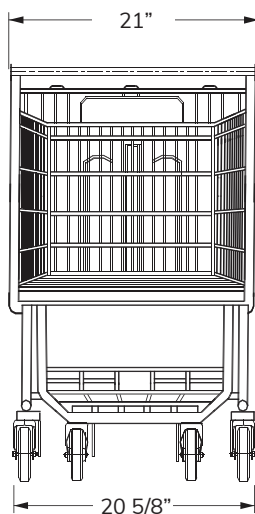
Double-Rim Wire Construction eliminates sharp edges at all touch-points around the basket while adding rigidity and strength.

Forever Secure gate design ensures the gate assembly that holds the child can never fall off, or out of the cart.

Gravity-Drop Seat Frame ensures a smooth and effortless closing of the child seat when the gate closes, significantly reducing the chances of seat belts and components getting tangled in the operation.

**Photo shown includes optional Red finish and Corner Bumpers*

PRODUCT SPECIFICATIONS:



Total Capacity

12,683 in³
207.8 liters

Basket Capacity

7,696 in³
126.1 liters

Nesting Distance

10 1/4 in
26 cm

Weight

49 lbs
22.2 kg



KNM250

SMALL SCANNER METAL CART

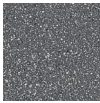
FEATURES:

- Available in any color finish or texture
- Meets all ASTM F2372-15R21 Standards
- Choice of plastic handle and seat color
- Custom logo imprint
- Seat belt
- Rust/weather-resistant finish

FINISH COLORS:



Black Gloss
Textured

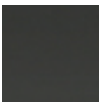


Granite

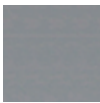
Additional Finishes available: Textured Granite, Gloss Black, Flat Black, Red, Green, Blue, Orange, Yellow.

PLASTIC COLORS:

Applies to handle and seats.



Black



Gray



Red



Blue



Dark Green

Contact your Peggs representative for a complete list of the available plastic colors.

Minimum quantities apply for custom metal finish and plastic colors.

OPTIONAL ACCESSORIES:



Cup Holder, Purse Hook
Phone Convenience Tray



P&H Super Wheels, TPE
Soft and Quiet Runner Wheels



Optional Corner Bumpers
in Standard Black or Gray



Cart containment systems:
Gatekeeper, Carttronics,
Rocateq, etc.

