



Designers and Manufacturers of Retail Solutions for Over 60 Years



# KNM150

## SMALL PLASTIC CART

This small plastic cart is lightweight, easy to maneuver and features 4" polyurethane wheels.

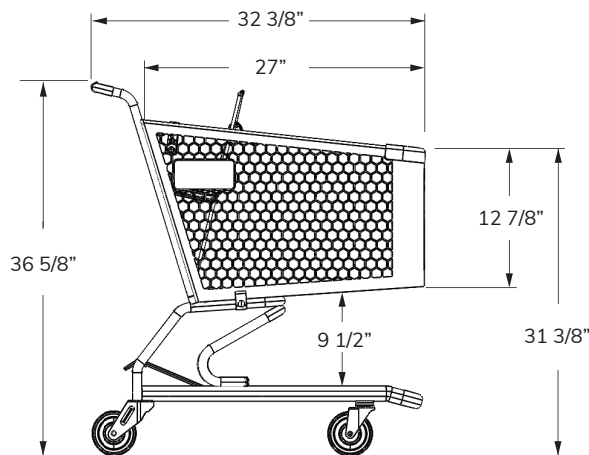
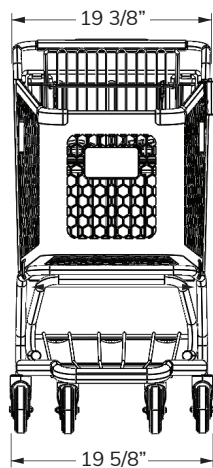
A choice of colored basket complements store decor and helps stand out from the rest. Logo branding available on three basket sides and one inside panel.

In addition to limiting damage to store equipment and fixtures, plastic baskets lessen liability in parking lots as they are less likely to scratch or damage vehicles.

Choice of plastic basket color: Black, Grey, Red, Royal Blue, Dark Blue, Dark Green, Yellow, Orange, Beige.

Also available with 5" polyurethane wheels (KNM155).

### PRODUCT SPECIFICATIONS:



#### Total Capacity

8,017 in<sup>3</sup>  
131.38 liters

#### Basket Capacity

5,502 in<sup>3</sup>  
90.16 liters

#### Nesting Distance

9 in  
22.86 cm

#### Weight

35 lbs  
15.88 kg



# KNM150

## SMALL PLASTIC CART

### FEATURES:

- Available in any color finish or texture
- Meets all ASTM F2372-15R21 Standards
- Store name or logo imprint on handle
- Seat belt
- Rust/weather-resistant finish
- 4" poly wheels

### FINISH COLORS:



Black Gloss  
Textured

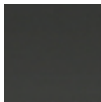


Granite

Additional Finishes available: Textured Granite, Gloss Black, Flat Black, Red, Green, Blue, Orange, Yellow.

### PLASTIC COLORS:

Applies to cart baskets, handles and seats.



Black



Gray



Red



Blue



Dark Green



Light Green



Light Orange



Camel



Yellow

Contact your Peggs representative for a complete list of the available plastic colors.

Minimum quantities apply for custom metal finish and plastic colors.



### OPTIONAL ACCESSORIES:



Cup Holder, Phone  
Convenience Tray



P&H Super Wheels, TPE  
Soft and Quiet Runner Wheels



Reinforce branding with  
custom-printed panels



Cart containment systems:  
Gatekeeper, Carttronics,  
Rocateq, etc.