



Designers and Manufacturers of Retail Solutions for Over 60 Years

# KNM120

## SMALL METAL CART



Small cart with child seat and 4" wheels is perfect for small grocery and convenience stores. Narrow width allows for ease of shopping without taking up too much space.

**Double-Rim Wire Construction** eliminates sharp edges at all touch-points around the basket while adding rigidity and strength.

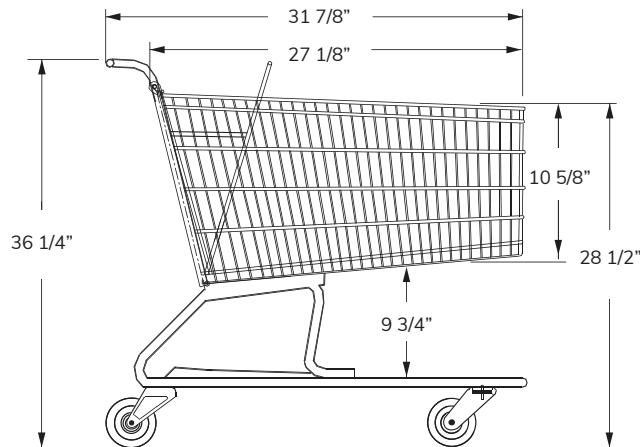
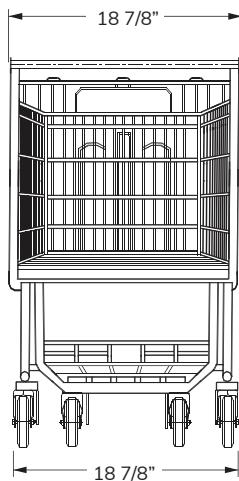
**Welded Lower Tray** means less maintenance, less rusting and quieter cart operation in store.

**Forever Secure** gate design ensures the gate assembly that holds the child can never fall off, or out of the cart.

**Gravity-Drop Seat Frame** ensures a smooth and effortless closing of the child seat when the gate closes, significantly reducing the chances of seat belts and components getting tangled in the operation.

Also available with 5" wheels (KNM125).

### PRODUCT SPECIFICATIONS:



#### Total Capacity

7,412 in<sup>3</sup>  
121.5 liters

#### Basket Capacity

4,544 in<sup>3</sup>  
74.4 liters

#### Nesting Distance

8 1/2 in  
22.2 cm

#### Weight

37 lbs  
16.8 kg



# KNM120

## SMALL METAL CART

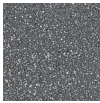
### FEATURES:

- Available in any color finish or texture
- Meets all ASTM F2372-15R21 Standards
- Choice of plastic handle and seat color
- Store name or logo imprint on handle
- Seat belt
- Rust/weather-resistant finish

### FINISH COLORS:



Black Gloss  
Textured

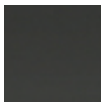


Granite

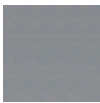
Additional Finishes available: Textured Granite, Gloss Black, Flat Black, Red, Green, Blue, Orange, Yellow.

### PLASTIC COLORS:

Applies to cart handles and seats.



Black



Gray



Red



Blue



Dark Green

Contact your Peggs representative for a complete list of the available plastic colors.

Minimum quantities apply for custom metal finish and plastic colors.

### OPTIONAL ACCESSORIES:



Cup Holder, Coupon/Phone  
Convenience Tray, Purse Hook



P&H Super Wheels, TPE  
Soft and Quiet Runner Wheels



Optional Corner Bumpers  
in Standard Black or Gray



Available only on KNM125  
Cart containment systems:  
Gatekeeper, Carttronics,  
Rocateq, etc.

