



Designers and Manufacturers of Retail Solutions for Over 60 Years



KNM075Y

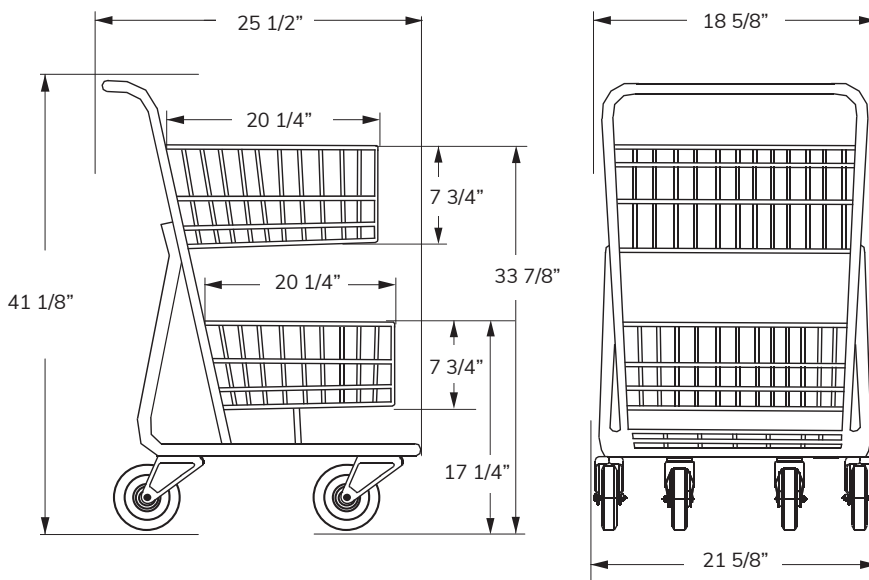
PLASTIC CONVENIENCE CART

This plastic double-basket Convenience Cart is designed to maximize shopping capacity. An optional small third basket mounts between upper and lower baskets to provide additional capacity for small items.

The cart's unique basket pattern allows for more efficient water shed and lessens dirt adhesion resulting in a cleaner appearance. Logo branding is available on basket front.

Also available with a child seat (KNM076Y).

PRODUCT SPECIFICATIONS:



Total Capacity

4,886 in³
80.1 liters

Basket Capacity

2443 in³
40 liters

Nesting Distance

8 1/2 in
21.6 cm

Weight

34 lbs
15.4 kg



KNM075Y

CONVENIENCE CART

FEATURES:

- Available in any color finish or texture
- Meets all ASTM F2372-15R21 Standards
- Choice of plastic basket color
- Store name or logo imprint on handle
- Rust/weather-resistant finish

FINISH COLORS:



Black Gloss
Textured



Granite
Textured

Additional Finishes available: Textured Granite, Gloss Black, Flat Black, Red, Green, Blue, Orange, Yellow.



PLASTIC COLORS:

Applies to cart baskets, handles and seats.



Black



Gray



Red



Blue



Dark Green



Light Green



Light Orange



Camel



Yellow

Contact your Peggs representative for a complete list of the available plastic colors.

Minimum quantities apply for custom metal finish and plastic colors.

OPTIONAL ACCESSORIES:



Cup Holder, Coupon/Phone Convenience Tray, Purse Hook



Reinforce branding with custom-printed panels



P&H Super Wheels, TPE Soft and Quiet Runner Wheels



Cart containment systems: Gatekeeper, Cartronics, Rocateq, etc.