



Designers and Manufacturers of Retail Solutions for Over 60 Years



\*Photo shown includes optional Rear Basket, Coupon/Phone Convenience Tray, Cup Holder and Purse Hook

# KNM072

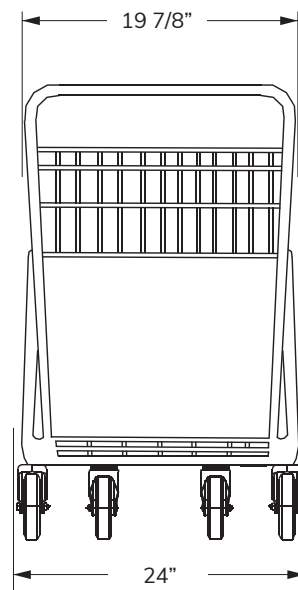
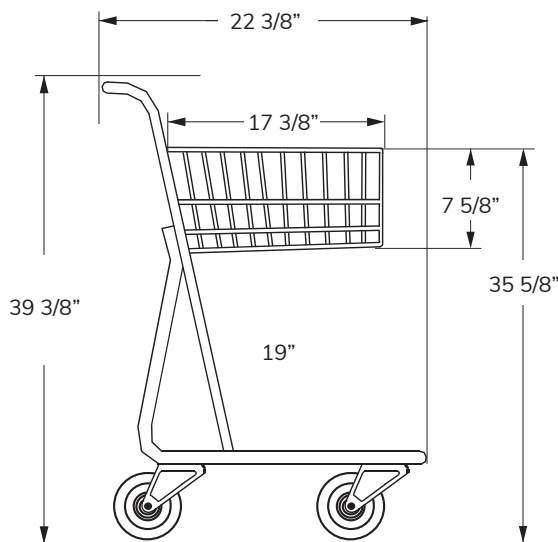
## SINGLE TIER EXPRESS CART

The single-basket Convenience Cart features a lower tray and rear milk/soda basket is designed to maximize basket shopping capacity for express shoppers.

A welded child safety warning placard eliminates the occurrence of missing signage to help reduce child accident liability.

Double-rim wire construction eliminates sharp edges at all touchpoints around the basket while adding rigidity and strength.

### PRODUCT SPECIFICATIONS:



#### Total Capacity

9948 cu<sup>3</sup>  
163.02 liters

#### Basket Capacity

2357 cu<sup>3</sup>  
38.62 liters

#### Nesting Distance

6 1/2 in  
16.51 cm

#### Weight

33 lbs  
14.97 kg



# KNM072

## SINGLE TIER EXPRESS CART

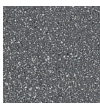
### FEATURES:

- Available in any color finish or texture
- Meets all ASTM F2372 -15R21 Standards
- Choice of plastic handle color
- Store name or logo imprint on handle
- Rust/weather-resistant finish

### FINISH COLORS:



Black Gloss  
Textured



Granite

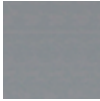
Additional Finishes available: Textured Granite, Gloss Black, Flat Black, Red, Green, Blue, Orange, Yellow.

### PLASTIC COLORS:

Applies to cart handle.



Black



Gray



Red



Blue



Dark Green

Contact your Peggs representative for a complete list of the available plastic colors.

Minimum quantities apply for custom metal finish and plastic colors.



\* Photo shown includes optional Rear Basket, Coupon/Phone Convenience Tray, Cup Holder and Purse Hook

### OPTIONAL ACCESSORIES:



Cup Holder, Coupon/Phone Convenience Tray, Purse Hook



P&H Super Wheels, TPE Soft and Quiet Runner Wheels



Optional Corner Bumpers in Standard Black or Gray



Cart containment systems: Gatekeeper, Carttronics, Rocateq, etc.